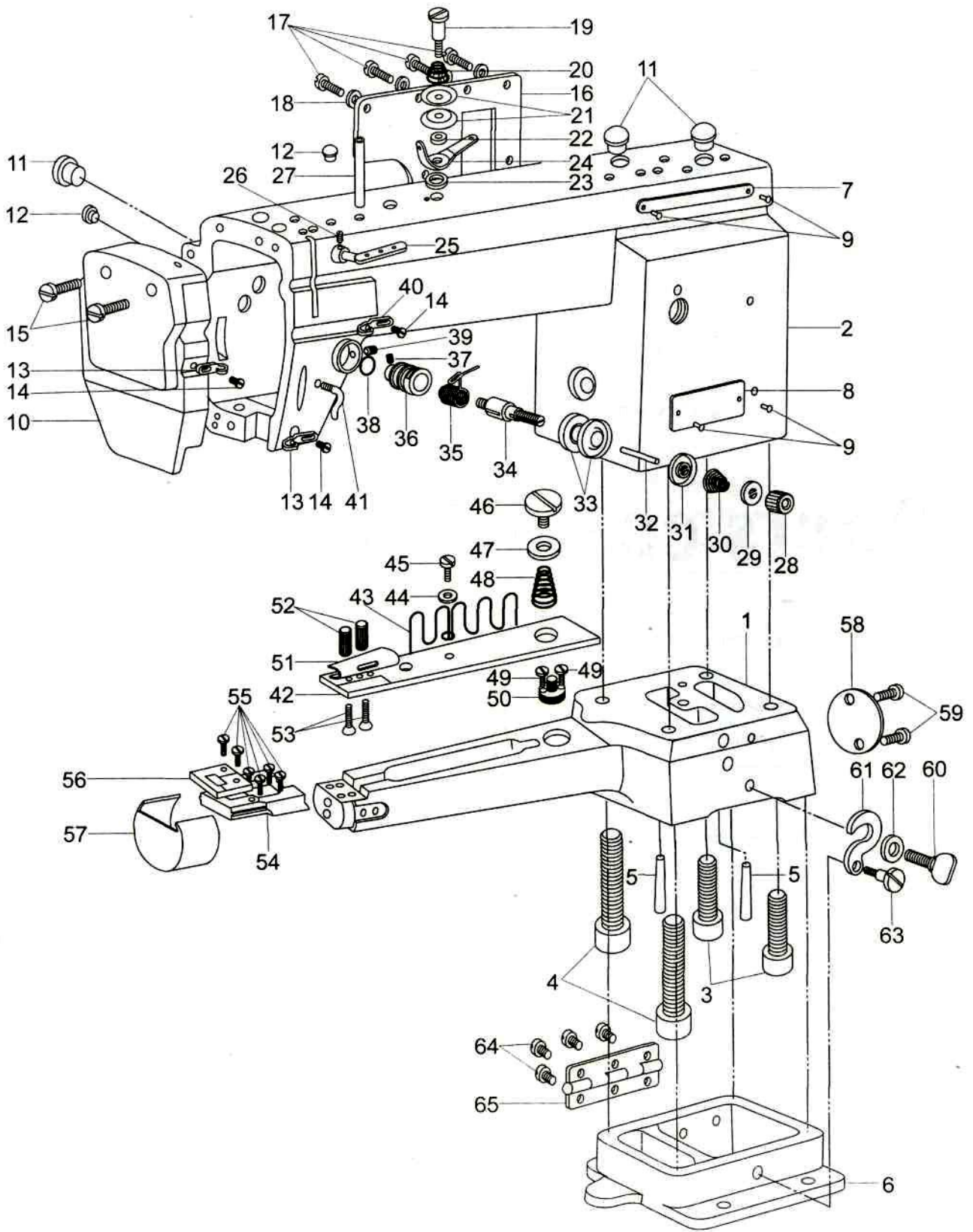


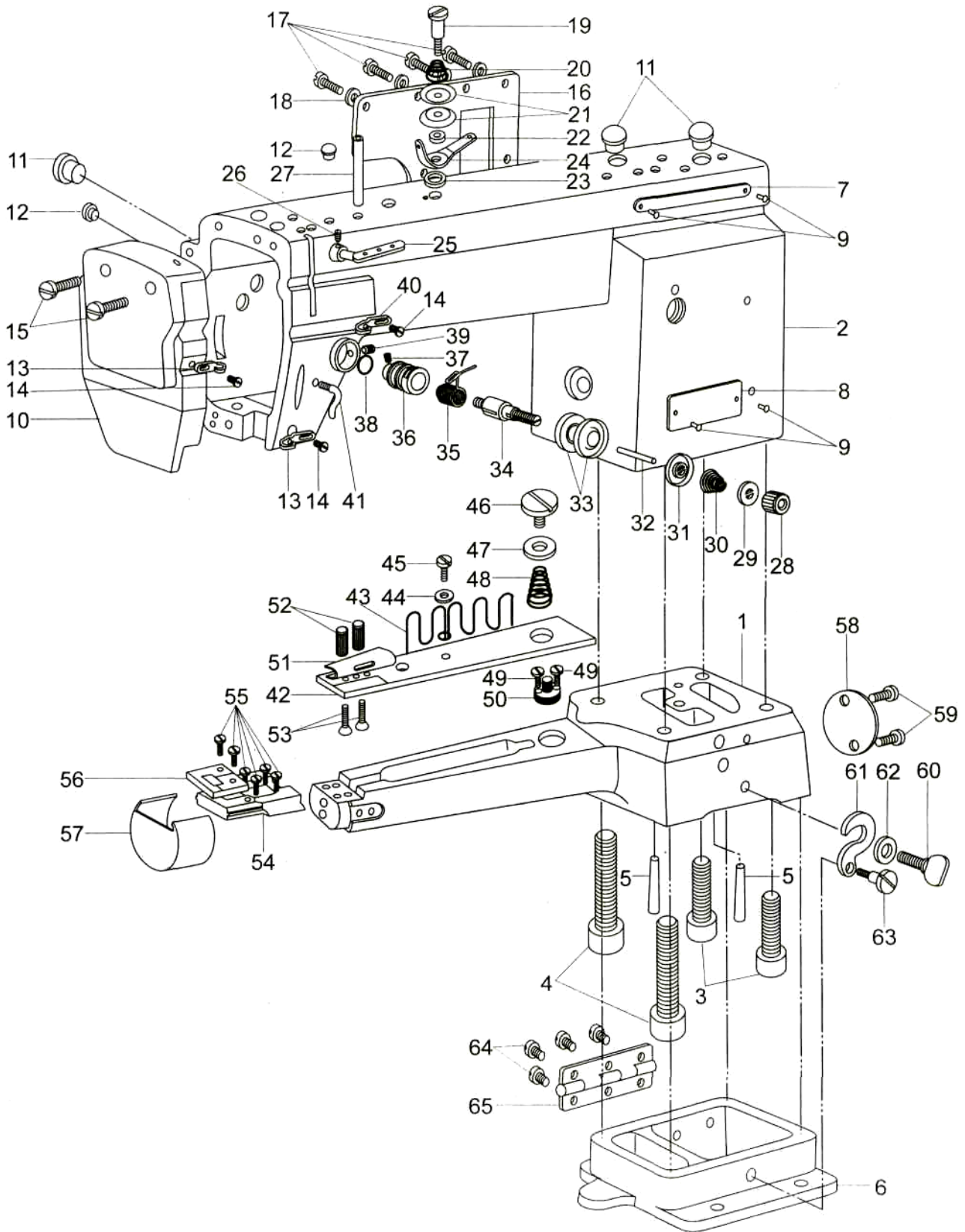
GC2605

1

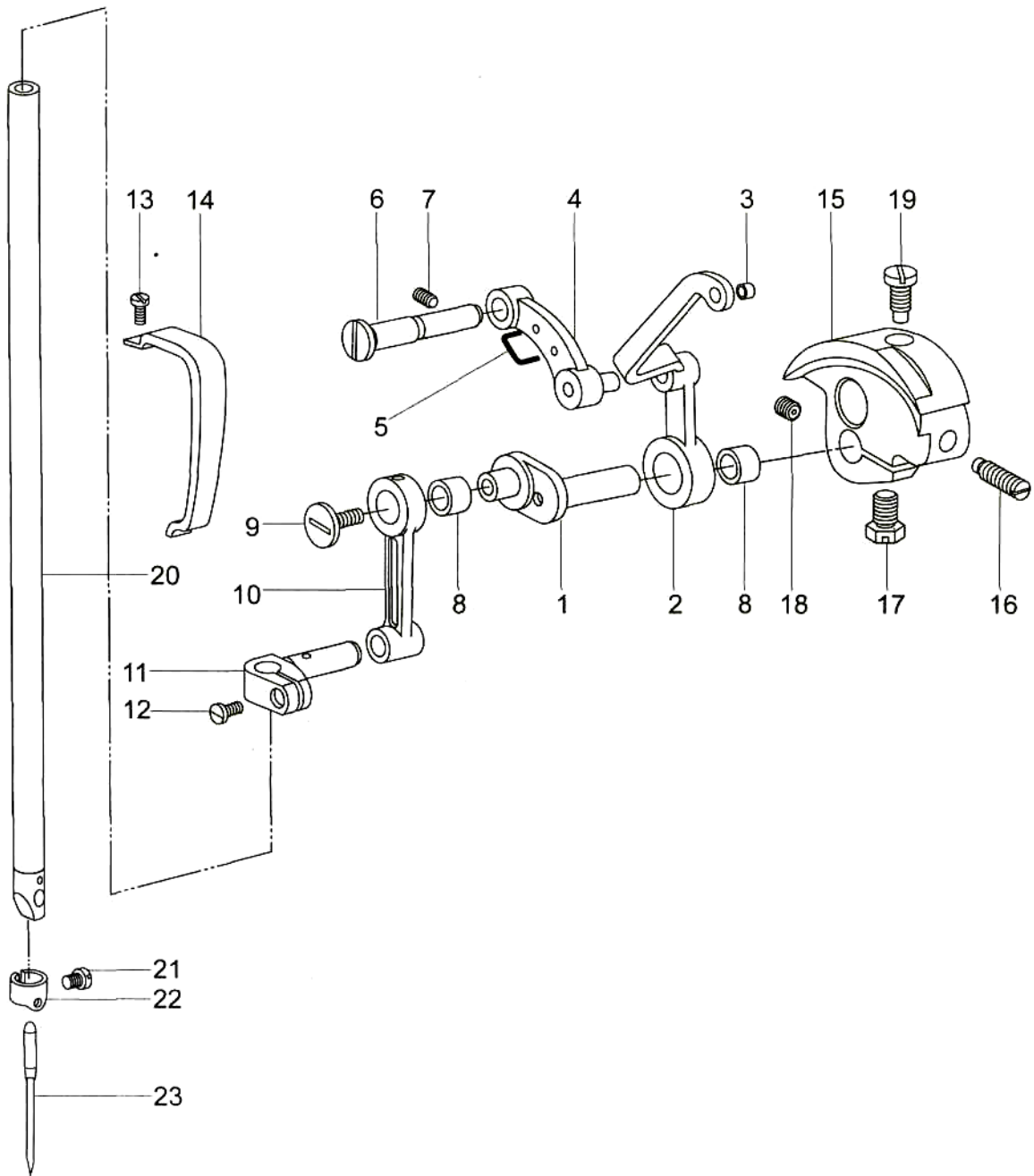


1. Arm and bed

Item	Description	Part number	Quantity
1	Cylinder bed	40T4-401	1
2	Arm	37T4-403	1
3	Bolt		2
4	Bolt		2
5	Arm dowel pin		2
6	Base plate	37T4-401	1
7	Model plate	40T4-402	1
8	Trade mark	40T4-414	1
9	Trade mark rivet		4
10	Face plate	35T4-402a	1
11	Sight window rubber plug(19)	22T1-003C3	3
12	Rubber plug(11.8)	22T1-003C4	2
13	Face plate thread guard	22T1-003C5	2
14	Screw	22T1-003C6	3
15	Face plate screw	22T1-004	2
16	Arm side cover	34T4-405	1
17	Arm side cover screw	22T1-006	6
18	Arm side cover screw washer	22T1-007	6
19	Small tension stud	22T1-009E1	1
20	Small tension spring	22T1-009E2	1
21	Small tension disc	22T1-009E3	2
22	Shim	22T1-009E4	1
23	Snap ring		1
24	Thread guide plate	22T1-009E5	1
25	Thread retainer	22T1-010	1
26	Thread retainer screw	22T1-011	1
27	Oil tube	33T4-004	1
28	Tension regulating thumb nut	22T1-012F2	1
29	Stop plate	22T1-012F10	1
30	Tension spring	33T4-008C1	1
31	Tension regulating disc	22T1-012F4	1
32	Tension regulating pin	22T1-012F9	1
33	Tension disc	22T1-012F5	2
34	Tension stud	22T1-012F1	1
35	Tension take up spring	22T1-012F6	1
36	Thread tension regulator	22T1-012F7	1
37	Tension stud set screw	22T1-012F8	1
38	O-ring	22T1-012F11	1
39	Thread take-up spring regulator set	22T1-013	1
40	Thread guide	22T1-014	1

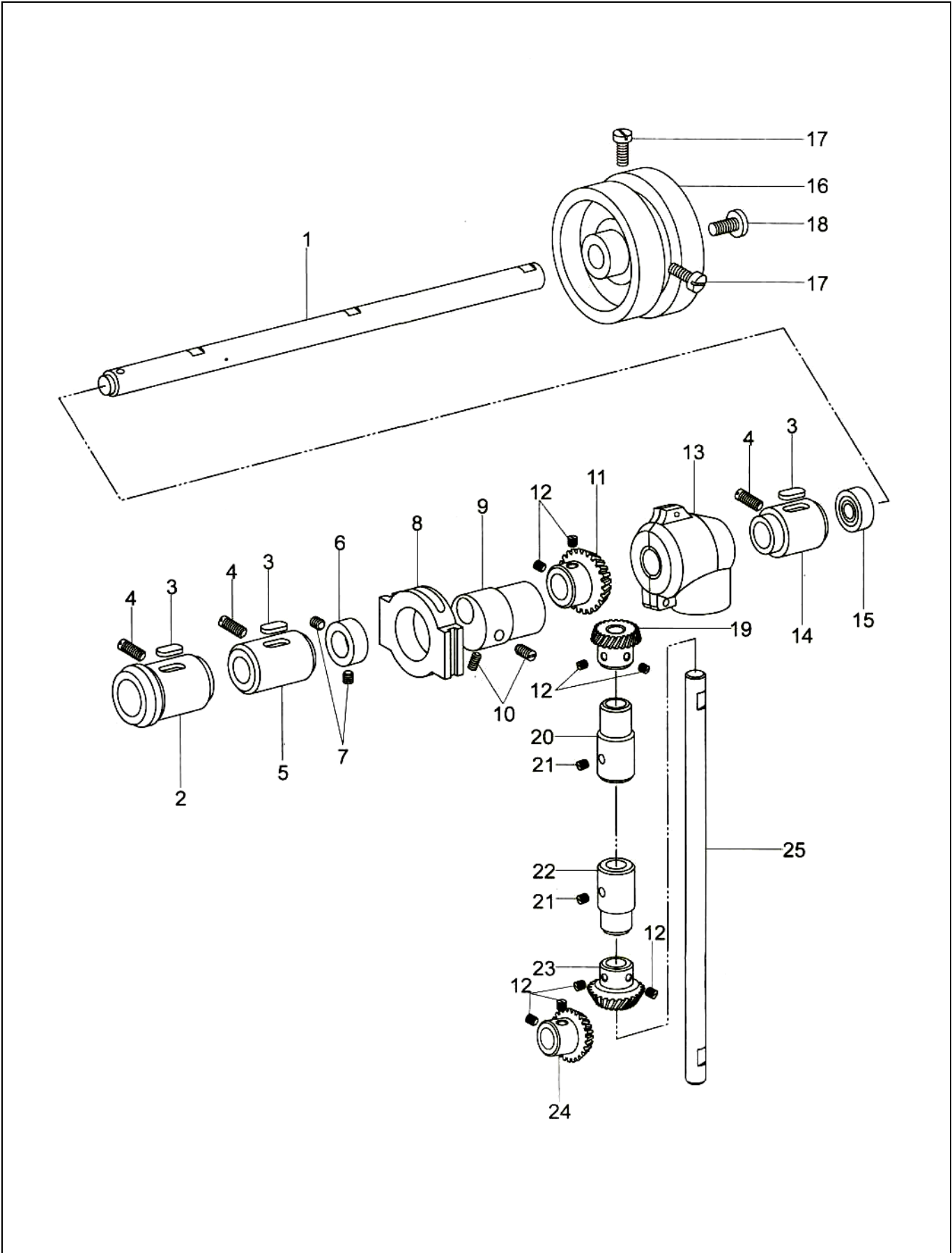


Item	Description	Part number	Quantity
41	Thread guide	35T4-405	1
42	Cylinder cover plate	40T4-404	1
43	Binding tape frame	40T4-405	1
44	Washer	22T1-007	1
45	Screw	22T1-006	1
46	Screw	40T2-206	1
47	Spring spacer	40T2-207	1
48	Coil spring	40T2-211	1
49	Screw	40T2-210	2
50	Feed dog support set shaft complete	40T2-209	1
51	Edge folder complete	40T4-406	1
52	Nut	40T4-409	2
53	Screw		2
54	Hook positioner bracket	40T4-410	1
55	Screw	40T4-411	6
56	Throat plate	40T4-412	1
57	Sliding plate	37T4-421	1
58	Cylinder cover plate	37T4-422	1
59	Screw	37T4-416	1
60	Screw	37T4-410	1
61	Connecting finger	37T4-409	1
62	Shim	37T4-411	1
63	Screw	37T4-412	1
64	Screw	37T4-408	6
65	Hinge	37T4-407	1



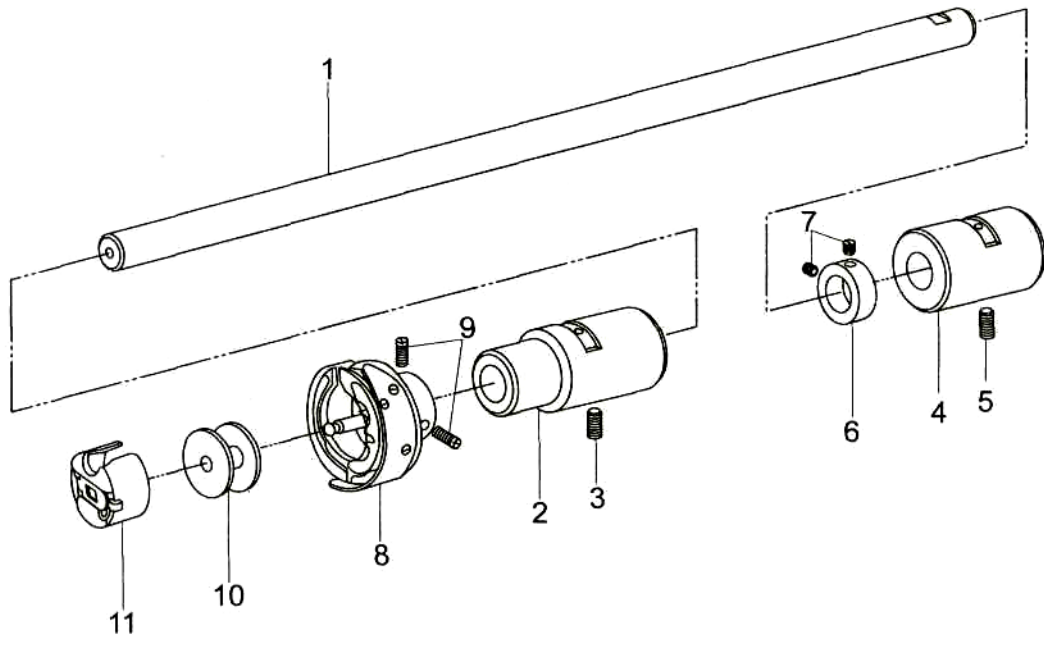
2. Needle Bar And Thread Take-up

Item	Description	Part number	Quantity
1	Thread take-up crank	33T1-001	1
2	Thread take-up lever	33T1-004B1	1
3	Thread take-up lever eyelet bushing	33T1-004B2	1
4	Thread take-up link	33T1-003A1	1
5	Thread take-up link oil wick	33T1-003A2	1
6	Thread take-up link hinge pin	33T1-002	1
7	Thread take-up link hinge pin set screw	J0.0.40	1
8	Needle bearing	19242/8	2
9	Needle bar connecting link cap	22T2-001A6	1
10	Needle bar connecting link	33T1-014	1
11	Needle bar connecting stud	130032	1
12	Needle bar connecting stud clamping	22T2-001A9	1
13	Thread take-up lever guard	33T1-007	1
14	Thread take-up lever guard screw	33T2-004	1
15	Needle bar crank	33T1-006C1	1
16	Needle bar crank set screw	33T1-006C2	1
17	Thread take-up crank clamping screw	33T1-006C3	1
18	Thread take-up crank position screw	22T2-005B3	1
19	Needle bar crank clamping screw	61-04-01/B2	1
20	Needle bar	33T1-017	1
21	Needle bar thread guide	22T2-015	1
22	Needle		1
23	Needle set screw	22T2-017	1



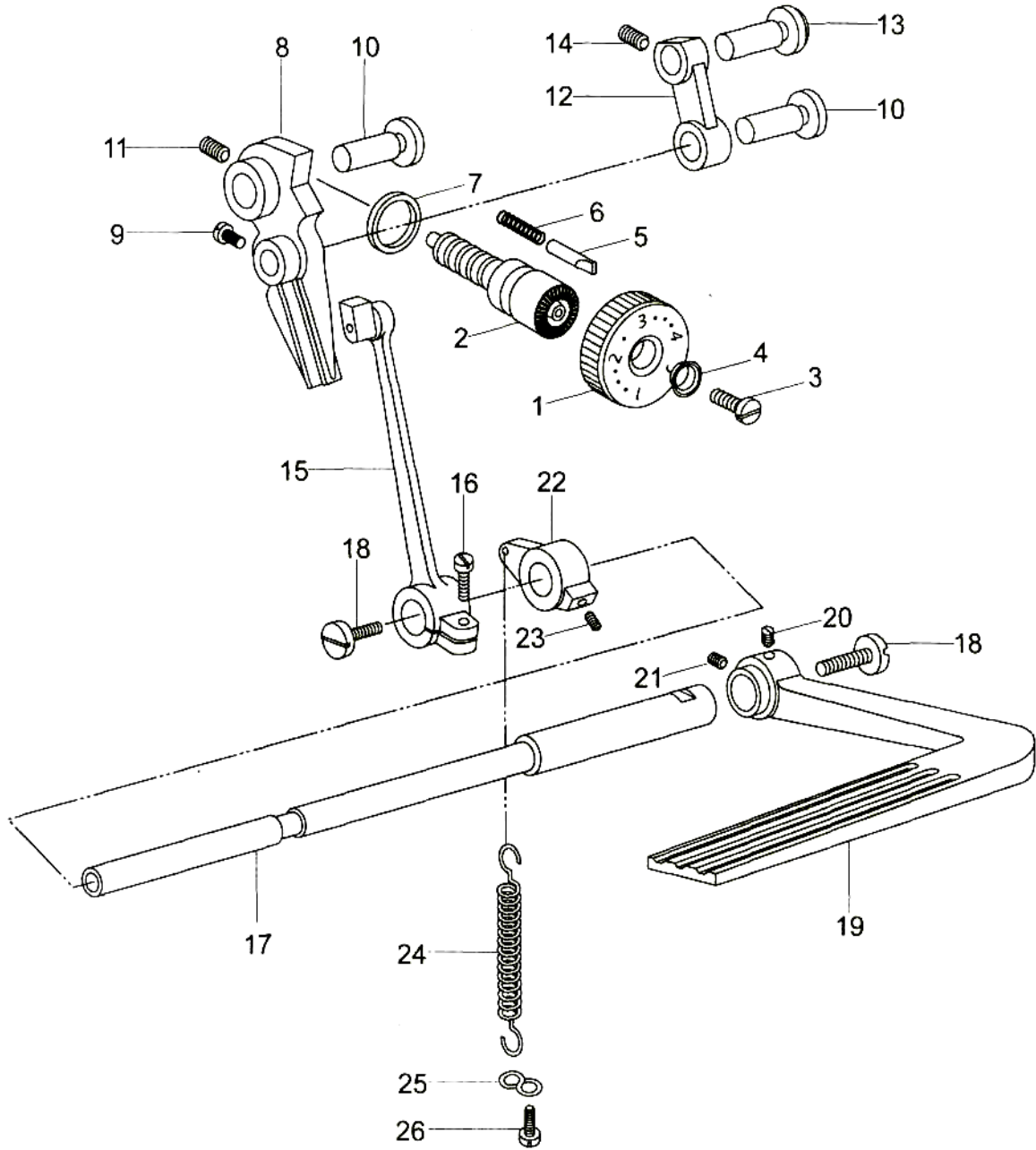
3. Arm Shaft And Vertical Shaft

Item	Description	Part number	Quantity
1	Arm shaft	33T1-008	1
2	Arm shaft flanged bushing (front)	33T1-007D1	1
3	Arm shaft bushing oil felt	33T1-007D2	3
4	Arm shaft bushing set screw	J0.0.40	3
5	Arm shaft bushing (middle)	33T1-009E1	1
6	Collar	22T3-002B1	1
7	Collar set screw	22T3-003B2	2
8	Feed and feed lifting eccentric sleeve complete	22T3-009D1a2	1
9	Feed and feed lifting eccentric	40T2-214	1
10	Screw	22T1-013	2
11	Arm shaft bevel gear	22T3-010E2a1-2	1
12	Bevel gear screw	22T2-005B3	8
13	Bevel gear case(upper)complete	33T1-010F	1
14	Arm shaft bushing(rear)	33T1-011G1	1
15	Arm shaft bushing(rear)oil seal complete	22T3-006F	1
16	Balance wheel	33T1-024	1
17	Screw for balance wheel	22T3-007C2	2
18	Screw for arm shaft	22T3-008	1
19	Vertical shaft bevel gear(upper)	22T3-010E2a2-2	1
20	Vertical shaft bushing(upper)	33T1-025Q	1
21	Vertical shaft bushing screw	J0.0.40	2
22	Vertical shaft bushing(lower)	33T1-023P1	1
23	Vertical shaft bevel gear(lower)	22T3-010E2b2-2	1
24	Rotating hook shaft bevel gear	22T3-010E2b1-2	1
25	Vertical shaft	33T1-026	1



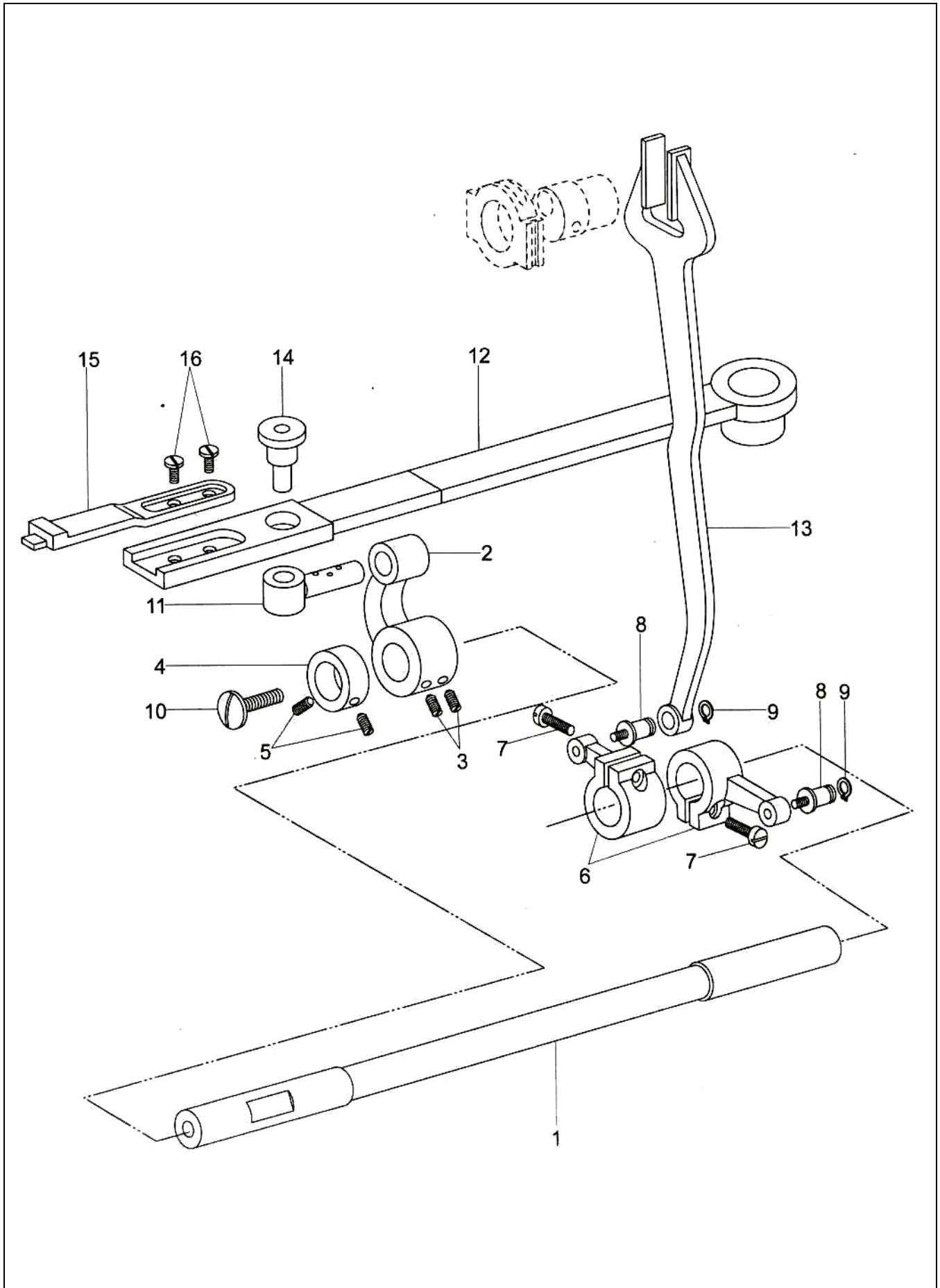
4. Rotating Hook And Its Oscillating shaft

Item	Description	Part number	Quantity
1	Rotating hook shaft assembly	33T1-021L	1
2	Rotating hook shaft bushing(front)	40T1-101	1
3	Rotating hook shaft bushing(front)screw	J0.0.40	1
4	Rotating hook shaft bushing(rear)	37T1-103	1
5	Rotating hook shaft bushing(rear)screw	J0.0.81	1
6	Rotating hook shaft collar	37T1-102	1
7	Rotating hook shaft collar set screw	22T2-013	2
8	Rotating hook assembly	37T1-104	1
9	Rotating hook set screw	37T4-105	3
10	Bobbin	33T1-027	1
11	Bobbin case assembly	33T1-028R	1



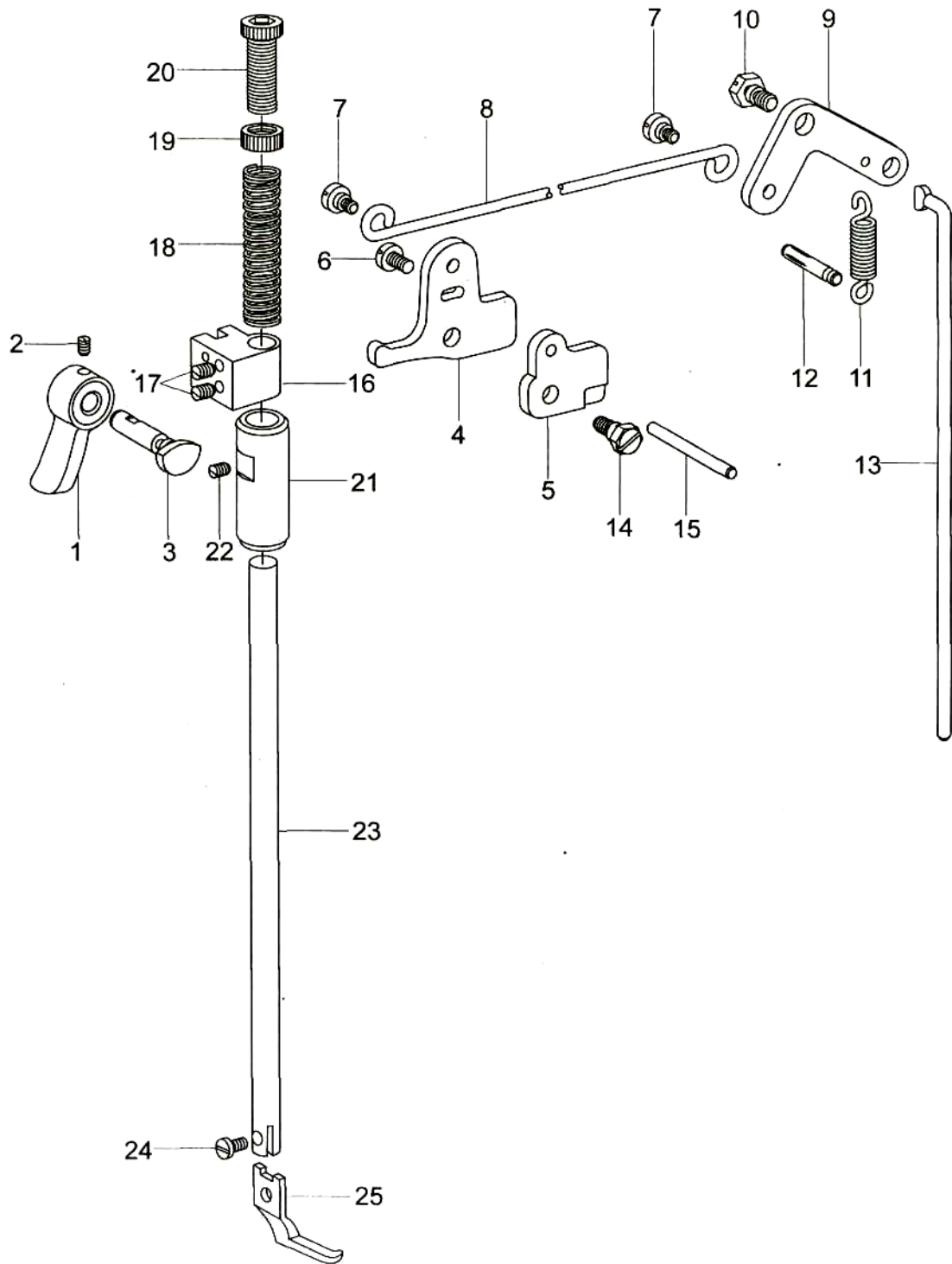
5. Stitch Length Regulating

Item	Description	Part number	Quantity
1	Stitch length dial	33T2-012	1
2	Stitch length adjusting screw	33T2-009	1
3	Screw	22T5-006C3	1
4	Screw bushing	36T5-007D4	1
5	Stop pin	22T5-008	1
6	Spring	22T5-009	1
7	O-type ring		1
8	Stitch length adjusting swing bar	33T2-013-A	2
9	Set screw	17T5-010	1
10	Hinge pin	33T2-024-A	1
11	Stitch	J0.0.81	1
12	Stitch length link	33T2-025-A	1
13	Connecting pin	33T2-026-A	1
14	Set screw	22T2-005B3	1
15	Reverse feed swing lever complete	33T2-019C	1
16	Screw	22T6-001A1b	1
17	Reverse lever shaft	37T2-020	1
18	Screw	17T5-019	2
19	Reverse feed lever	17T5-015	1
20	Set screw	17T5-017	1
21	Screw	17T5-016	1
22	Reset lever	33T2-021	1
23	Screw	6A6-08A	1
24	Coil spring	33T2-022	1
25	Set hook for spring	33T2-023	1
26	Screw	22T1-006	1



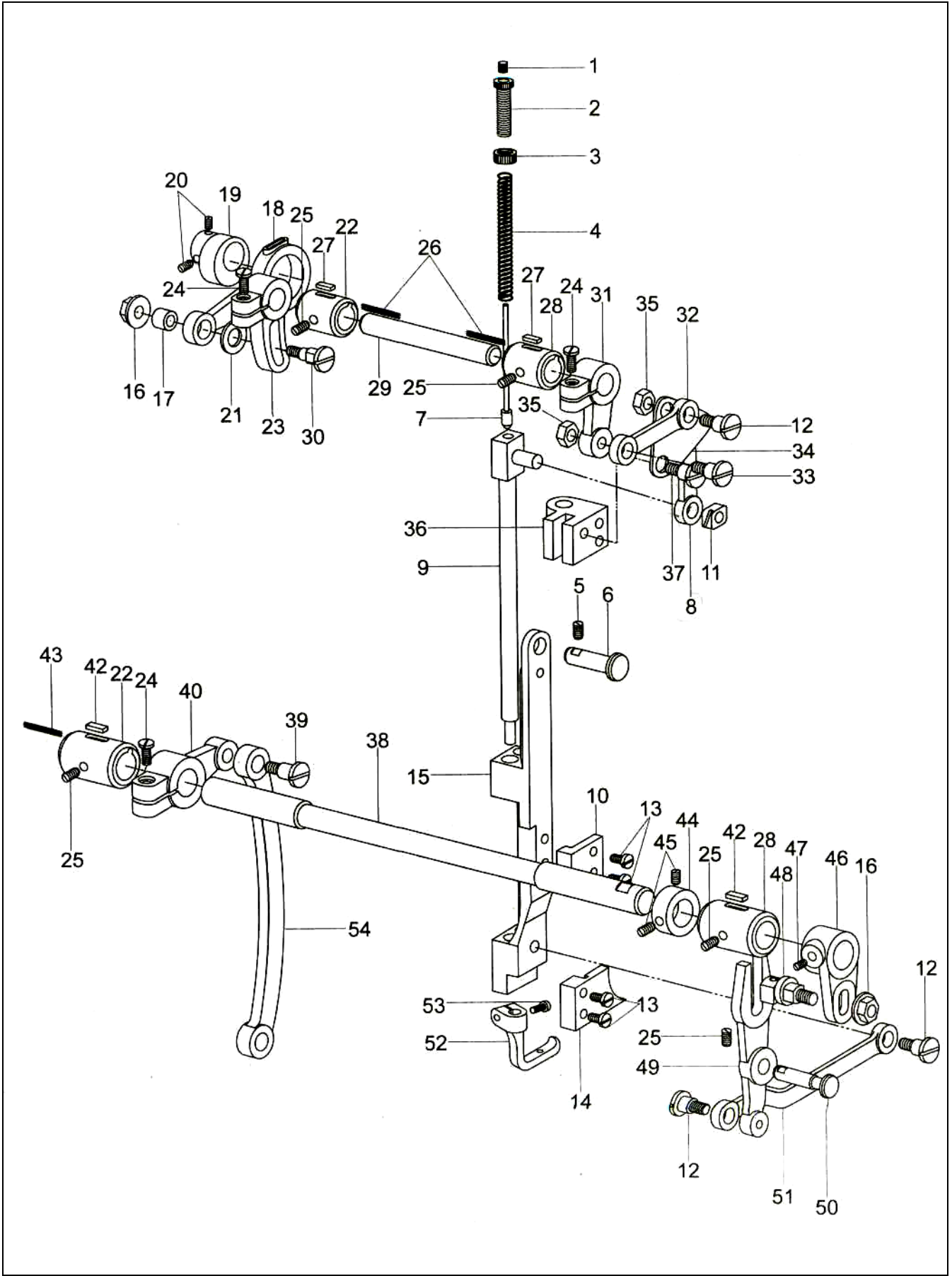
6. Bottom Feed

Item	Description	Part number	Quantity
1	Feed shaft	40T2-205	1
2	Front crank	40T2-213	1
3	Screw	22T1-011	2
4	Feed rock shaft and feed lifing rock shaft collar	37T2-208	1
5	Screw	22T2-013	2
6	Feed crank	37T2-212	2
7	Feed rock shaft crank set screw	37T2-210	2
8	Link connecting stud	37T2-213	2
9	Link connecting stud snap ring		2
10	Screw	17T5-019	1
11	Feed linking rock shaft	40T2-204	1
12	Feed dog support	40T2-212	1
13	Feed fork	37T2-214	1
14	Feed shaft pin	40T2-203	1
15	Feed dog	40T2-201	1
16	Screw	40T2-202	2



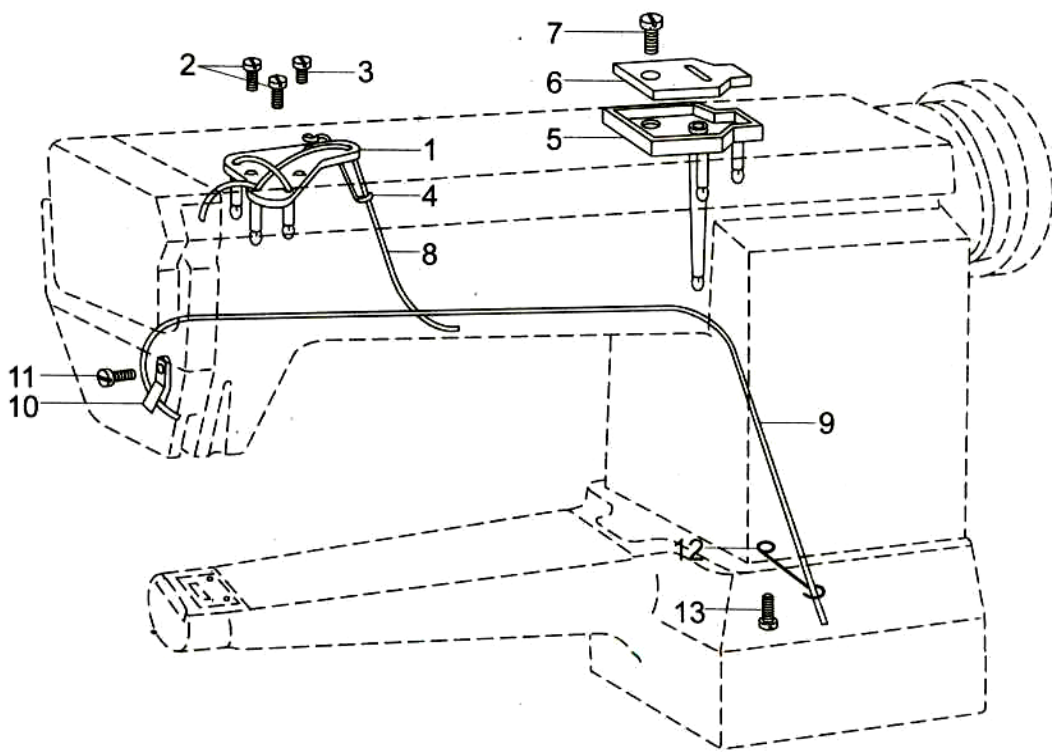
7. Presser Bar And Drawing Bar

Item	Description	Part number	Quantity
1	Presser bar lifter	334T3-304	1
2	Presser bar lifter position screw	22T7-001A2	1
3	Presser bar lifting cam	33T3-004	1
4	Knee lifter bell crank(left)	22T7-004B1a	1
5	Tension releasing cam	22T7-004B1b	1
6	Knee lifter bell crank (left) screw	22T7-004B1c	1
7	Screw for knee lifter bell crank hinge	22T7-004B2	2
8	Knee lifter drawing bar	22T7-004B3	1
9	Knee lifter bell crank(right)	22T7-007C1	1
10	Knee lifter bell crank(right)screw	22T7-005(B)	1
11	Knee lifter bell crank(right) spring	22T7-007C2	1
12	Spring connecting pin for knee lifter bell crank(right)	22T7-008	1
13	Knee lifter connecting rod	37T3-301	1
14	Tension releasing cam screw	22T7-005(A)	1
15	Tension releasing rod	35T3-305	1
16	Presser bar position block	35T3-301	1
17	Presser bar position block screw	J0.0.40	2
18	Presser bar spring	34T3-302	1
19	Presser regulating thumb screw lock nut	22T7-014E2	1
20	Presser regulating thumb screw	34T3-301	1
21	Presser bar bushing	35T3-303	1
22	Presser bar bushing screw	22T2-013	1
23	Presser bar	35T3-302	1
24	Presser foot screw	22T2-019	1
25	Presser foot	40T3-301	1



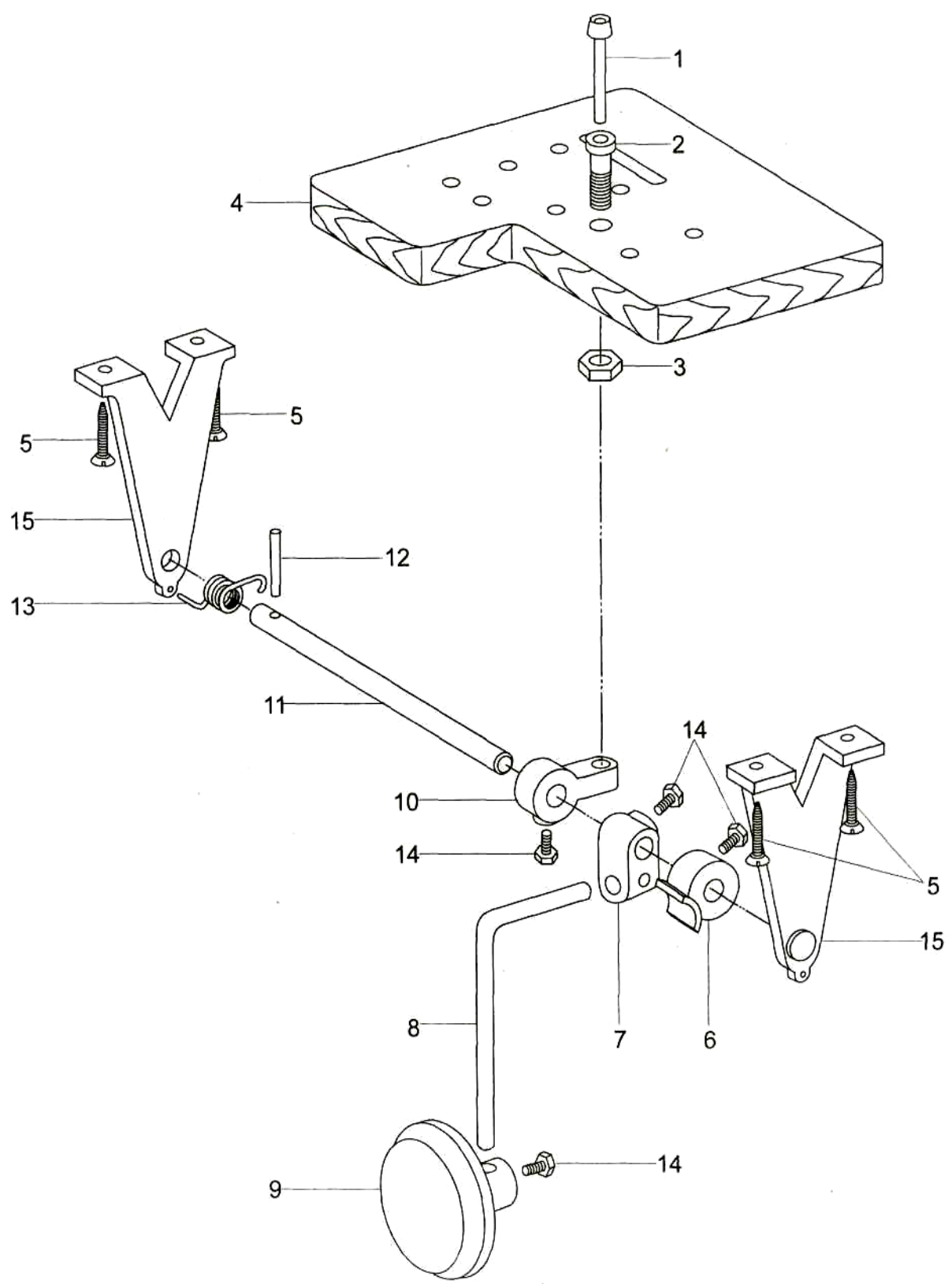
8. Top Feed

Item	Description	Part number	Quantity
1	Oil felt	34T5-501	1
2	Screw	35T5-503	1
3	Nut	34T5-503	1
4	Press bar spring	35T5-501	1
5	Screw	J0.0.40	1
6	Needle bar move stand shaft	35T5-504	1
7	Spring bar	35T5-505	1
8	Presser foot up and down link	35T5-507	1
9	Connector	35T5-509	1
10	Slot for slide block	35T5-513	1
11	Slide block	33T1-013	1
12	Screw	34T5-507	3
13	Screw	22T2-019	4
14	Rail block	35T5-511	1
15	Needle bar move stand	35T5-510	1
16	Nut	34T5-531c	2
17	Washer	34T5-519	1
18	Link	34T5-520	1
19	Presser foot up and down eccentric	34T5-516	1
20	Screw	01/B602	2
21	Washer	34T5-521	1
22	Rear bushing	34T5-538a	2
23	Rear crank	34T5-517	1
24	Screw	34T5-540	3
25	Set screw	J0.0.35	5
26	Cotton wick	34T5-536c	2
27	Oil felt	34T5-536b	2
28	Front bushing	34T5-536a	2
29	Presser foot up and down shaft	34T5-537	1
30	Screw	34T5-522	1
31	Front crank	34T5-535	1
32	Link	34T5-534	1
33	Bolt	34T5-513b	1
34	Presser foot up and down lever	35T5-506	1
35	Nut	34T5-516	2
36	Presser bar set block	35T5-301	1
37	Bolt	34T5-527	1
38	Needle bar move shaft	34T5-539	1
39	Screw	17T4-002	1
40	Rear crank	34T5-523	1
41	Screw	61-04-01/B06	1
42	Felt	34T5-538b	2
43	Cotton wick	34T5-538c	2
44	Collar	34T5-532	1
45	Screw	22T3-002B2	2
46	Front crank for needle bar move	34T5-533	1
47	Screw	01/B902	1
48	Slide block complete	34T5-531	1
49	Fork bar	34T5-529	1
50	Pin	34T5-530	1
51	Needle bar move link	35T5-512	1
52	Small presser foot	40T5-502	1
53	Screw	22T2-001A9	1
54	Swing presser foot link	34T5-524	1



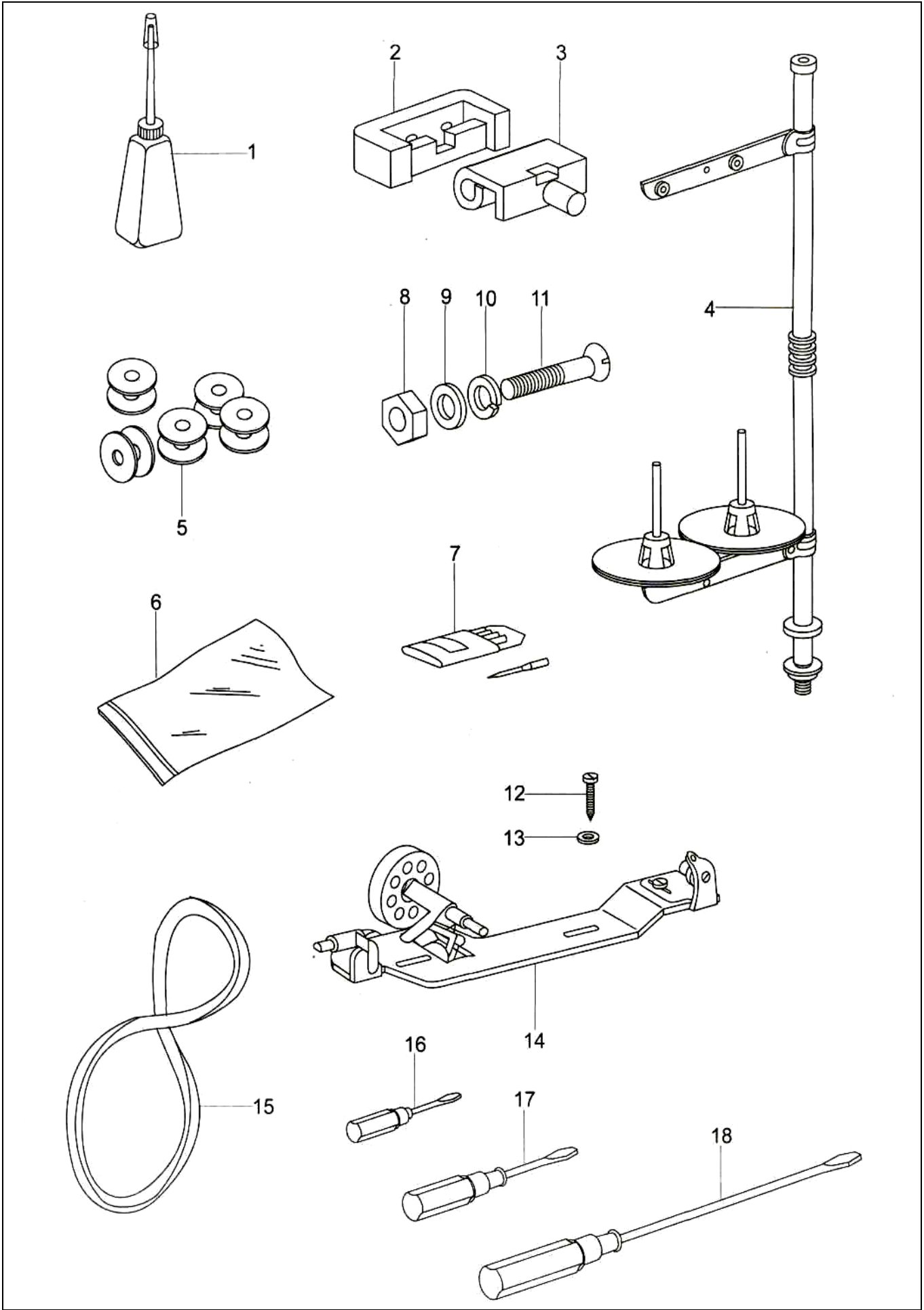
9. Lubrication

Item	Description	Part number	Quantity
1	Oil wick fixing plate assembly	22T8-011C	1
2	Oil wick fixing plate screw	22T8-012	2
3	Oil wick fixing hook screw	22T8-011C4	1
4	Oil wick fixing hook	22T8-011C5	1
5	Small oil reservoir	33T4-005B1	1
6	Small oil reservoir oil pad	33T4-005B3	1
7	Small oil reservoir screw	33T4-005B2	1
8	Oil wick of oil wick fixing plate	22T8-011C3	1
9	Long oil wick		1
10	Long oil wick clamp	22T1-016	1
11	Long oil wick clamp screw	22T2-004	1
12	Long oil wick fixing hook	33T4-010	1
13	Long oil wick fixing hook screw	22T2-004	1



10. Knee Lifter

Item	Description	Part number	Quantity
1	Knee lifter pushing rod	37T6-601	1
2	Knee lifter pushing rod screw	37T6-602	1
3	Hexagon nut		1
4	Table	37T7-701	1
5	Round head wood screw		4
6	Knee lifter rock shaft stop dog	33T5-001E1	1
7	Knee lifter bell crank joint	33T5-005	1
8	Knee lifter bell crank	32T6-009	1
9	Knee lifter knee plate assembly	32T6-010F	1
10	Knee lifter lifting crank	33T5-002	1
11	Knee lifter rock shaft	33T5-007B1	1
12	Knee lifter rock shaft spring pin		1
13	Knee lifter rock shaft spring	33T5-006	1
14	Knee lifter knee plate set screw		4
15	Knee lifter rock shaft bracket	33T5-005	1



11. Accessories

Item	Description	Part number	Quantity
1	Small oil pot	33TF-011	1
2	Hinge case	33T7-003	1
3	Hinge hook	33T7-002	1
4	Spool stand complete	33TF-019	1
5	Bobbin case	33T1-027	1
6	Accessories bag	33TF-010	1
7	Needle	1F-009	1
8	Nut	37TF-007	4
9	Washer	37TF-008	4
10	Spring washer	37TF-009	4
11	Screw	37TF-006	4
12	Wood screw	33TF-017	2
13	Washer for woody screw	33TF-018	2
14	Bobbin winder complete	S14420020	1
15	V-belt	37TF-005	1
16	Screw driver(small)	33TF-014	1
17	Screw driver(middle)	33TF-013	1
18	Screw driver(big)	33TF-012	1